

YA-PS13

User Manual

SS Emergency Patient Transfer Stretcher

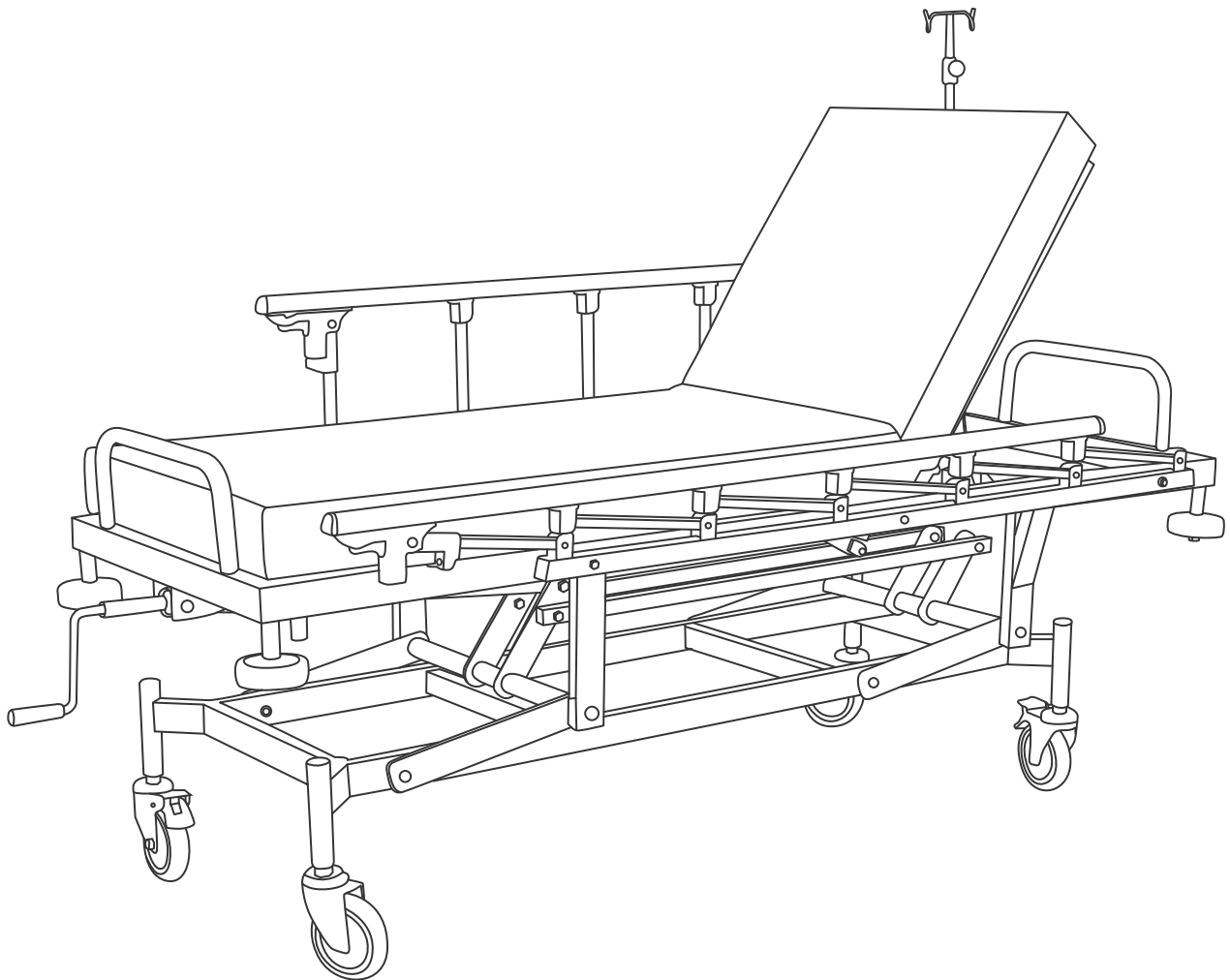


Table of contents

1.Introduction of product.....	01
2.Conditions for normal operation, storage and transportation.....	02
3.Main purpose and application scope.....	02
4.Main technical parameter.....	02
5.Schematic diagram of product and annotation.....	03
6.Precautions.....	03
7.Operation Methods.....	03
8.List of accessory.....	06
9.Safety Type.....	06
10.Maintenance.....	06
11.Faults analysis and solution.....	07
12.After-sales service.....	07

1.INTRODUCTION

— Dear Customers

Thanks for choosing our Manual Stainless Steel Transfer Vehicle YA-PS13. We will provide thoughtful after-sales service in the whole process of using your products. Meanwhile, we hope to get your valuable opinions to innovate the technology in the industry and better serve the treatment and nursing of patients.

YA-PS13 is a manual stainless steel transfer vehicle that can be used in multiple departments. The backrest is controlled by a gas spring and the height can be raised and lowered by a crank. It can be more convenient for nurses to operate and improve work efficiency.

Zhangjiagang medi medical equipment co.,ltd. will do its best to avoid printing the text or image errors, but not responsible for the possible negligence. The criterion for the goods are based on the standard of the material.

2. Conditions for formal work, storage and transportation

2.1 Conditions for normal operation:

- a. Ambient temperature: 5 °C ~40 °C
- b. Relative humidity: no more than 80%
- c. Atmospheric pressure: 70kPa-106kPa

2.2 Conditions for storage and transportation:

- d. Ambient temperature: -40 °C ~55 °C
- e. Relative humidity: no more than 95%
- f. Atmospheric pressure: 50kPa-106kPa

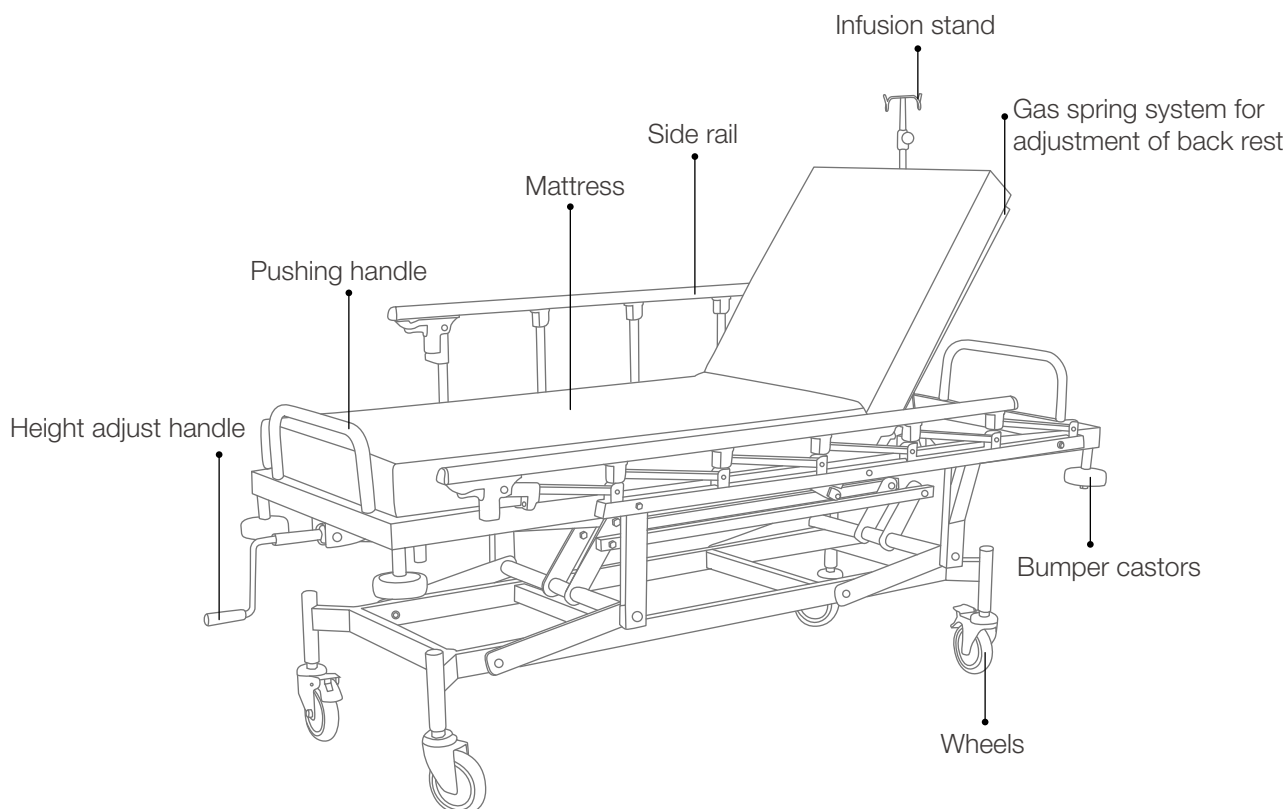
3. Main purpose and application scope

YA-PS13 can transport patients in various departments, and the angle of the back can be adjusted, and the height can be adjusted by handle .

4. Main technical parameter

Overall size	1900*550*540-880mm
Back section adjustable	60°±5°
Height adjustable by scissor system	540-880mm
Loading capacity	159kg

5. Schematic diagram of product and annotation (Figure 1)



6. Precautions

6.1 All parts of the stretcher should be kept clean. Clean methods refer to 10. Maintenance.

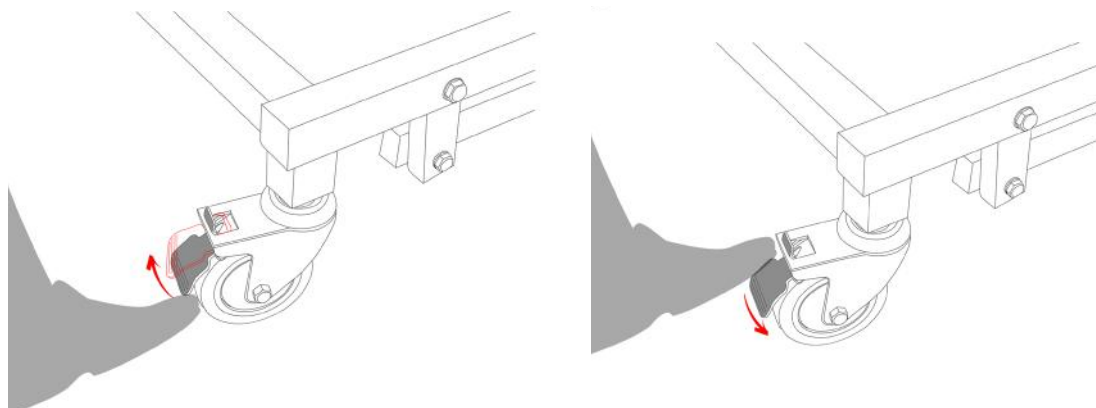
6.2 Not allowed to put hands or legs into the lifting mechanism or below the side rails.

6.3 It should be repaired by expertise when faults occur. When it's necessary to gain services from our company, please contact your dealer or our company's service department, and be sure not to dismount and repair it at will.

7. Operation Methods

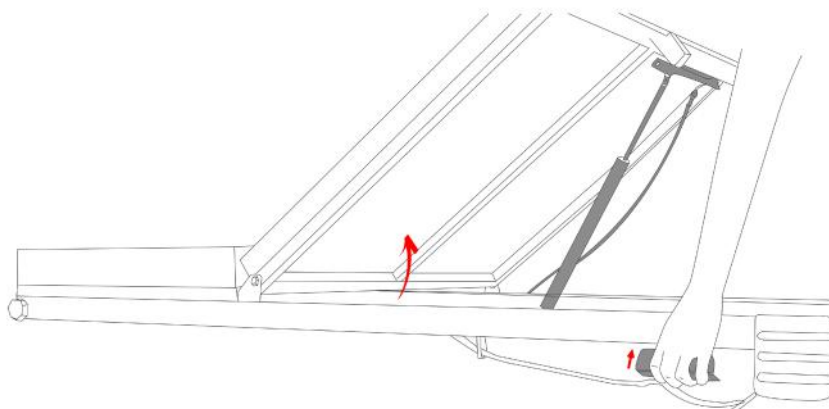
7.1 The table is applicable to transfer the patients.

Step down the brake to lock the castors, while lift up the brake to unlock the castors.



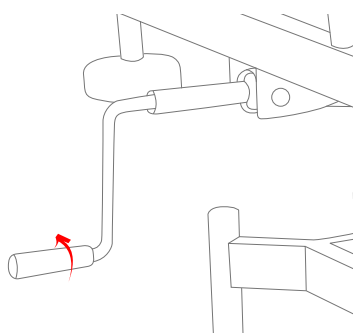
7.2 Levers for adjustment of back section(connecting with gas spring system) (Figure 3)

Pull out the levers on both sides of bed, meanwhile, lift up the back section a bit, then the back section can be upward easily. On the contrary, pull out the levers on both sides of bed, meanwhile, press down the back section, then the back section can be downward easily



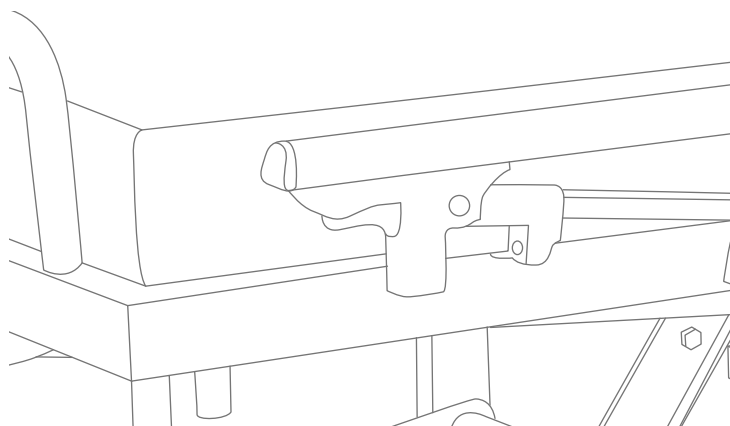
7.3 Crank for adjustment of bed height (connecting with hydraulic pump) (Figure 4)

Turn the handle clockwise to raise the stretcher, and turn it counterclockwise to lower the height.



7.4 Siderail control button

Press the button to lower the guardrail; directly lift the guardrail to automatically lock.



8. Accessories list

NO.	Name	Qty
1	Dia 150mm(6") Silent wheels	Four casters, two crossed with brakes
2	Aluminum alloy side rails	2pcs, collapsible
3	I. V pole with 4 sockets	1pc
4	Storage basket	1pc
5	Crank	1pc

9. Safety Type

The bed belongs to anti-electroshock class B Type I equipment.

10. Maintenance

10.1 The stretcher has received strict tests in factory before delivery. Please don't dismount, combine or disassemble it by yourself.

10.2 The stretcher can not be flushed by water in order to prevent hydraulic pump from being damaged. The bed can be cleaned with a piece of clean, soft cloth, and also alcohol-water blending liquid(Proportion: 3:4) can be used to achieve better cleaning effect.

10.3 The life circle of the parts (e.g. adjuster) and the mechanism (e.g. levers) is five years. Examinations should be taken often to check the wear and tear before the life end, and change the parts on time.

10.4 Change the mattress cover and strips on the knee crutches on time if broken, and handle them according to the relative regulations on the waste materials.

10.5 The delivery bed shall be stored in dry, corrosive gas free, and well-ventilated environment, and mustn't be exposed to direct sunlight.

10. Faults analysis and solution

Phenomena of fault	Items to be confirmed	Solution methods
No movements for back section or Trendelenburg(Reverse-trendelenburg)	Gas spring doesn't work or the levers(lift handles) broken	Replace the gas spring or the levers(lift handles)

11. After-sales service

12.1 The product that is damaged or fails to normal work really due to the manufacturing product within the one year after the purchasing date will gain free spare parts and assembling drawing from our company.

12.2 Our company will provide the whole-life services

CONTACT US



Youtube



Web

Pls scan the QR code for more info

-  + (86) 139 6223 1292
-  info@medik-medical.com
info@mediksurgical.com
-  www.medik-medical.com
www.mediksurgical.com