

YA-ET-D05

Electric Treatment Table



*Better care
Better comfort!*

Electric Treatment Table

Model:YA-ET-D05



YA-ET-D05 Luxurious 10-section examination table, with a heavy duty base and a stable position adjustment system, maximizes flexibility during examination and treatment. Each section can be adjusted independently to achieve the best treatment position and increase patient comfort.

Main details



Height adjustment

Luxurious and seamless upholstery to improve the user's comfort and for easy clean.



Head section

Head section adjusted by gas spring, armrests are height-adjustable by manual device.



Back section

Back section adjusted by gas spring, armrests are rotated by manual device.



Seat and foot section

The seat and leg panel have two sections, each part can be adjusted individually by gas springs.



Castor

4 luxury double-sided wheels, which can be raised or lowered by manual device, easy to transport.



Main Features

- Features a 10-section top design
- Leg section could be separated two parts
- Stepless arm supports featuring quick adjustment with gas springs
- Heavy-duty steel frame to ensure long-term use
- Standard head section has face hole, but it may be ordered without a face hole (Please specify when ordering)
- Electric power height adjustment with foot control
- Hands-free low voltage foot control
- Seamless, rounded corner, upholstered top
- 2" ultra-firm padding
- Four casters allow the treatment table to be moved or stored
- Available in 9 upholstery options
- Variety of accessories available

Function

Adjustable Height	510 – 960mm
Head section adjustable	-35° to +55°
Back section adjustable	0° to +55°
Seat section adjustable	0° to +25°
Leg section adjustable	0° to -55°

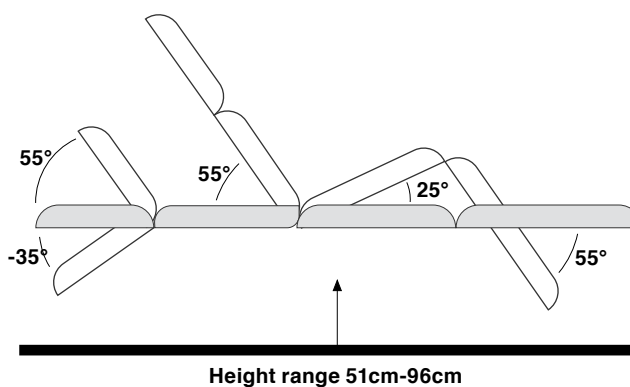
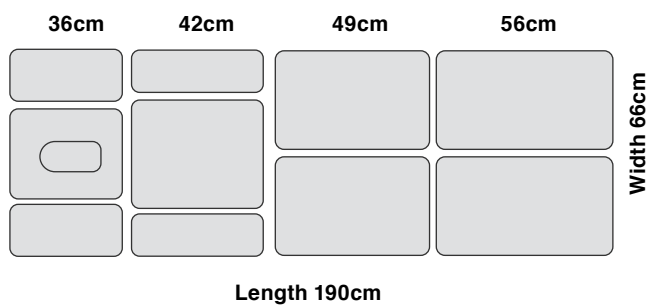
Technical parameters

Overall size	1900 x 660 x (510-960)mm
Head Section Length	360mm
Back Section Length	490mm
Seat Section Length	420 mm (*2)
Leg Section Length	560mm (* 2)
Load capacity	225kg
Caster	Dia75mm
Foam Thickness	5cm
Foam Density	36g/m ²

Standard Options

- Foot control
- Hand control is free to transfer
- Paper roll holder unavailable
- Extra width upholstery up to 70cm.
- Extra 2cm foam thickness for upholstery.

Size picture



ABOUT US

Zhangjiagang Medi Medical Equipment Co.,Ltd, founded in 1995, with more than 20 years experience in developing hospital furniture, is one of the largest manufacturer of hospital bed, patient stretcher, medical cart and other related hospital furniture in China or even Asia.

Through scientific management complying with ISO9001&ISO13485, by adopting advanced facility like Germany TRUMPF CNC, Japan OTC Robot Welding, Auto-power coating line with Swiss GEMA gun , Medi focuses on providing brand quality product with CE approval.

Headquartered in Zhangjiagang nearby Shanghai, with subsidiary oversea offices in Hungary, Dubai, Thailand, New Zealand, Kenya, Colombia, Medi acting professionally and swiftly for both pre-sales and after-sales.The products are widely accepted by global clients, such as UK RIE hospital, UNIVERZITETNI KLINICNI CENTER, Kokilaben Dhirubhai Ambani Hospital, Singapore National University Hospital etc.



YOU TUBE



MEDIK

Pls scan the QR code for more info

info@medik-medical.com | +86 139 6223 1292

Medik reserves the right to make changes without notice in design, specifications and models. The only warranty Medik makes is the express written warranty extended on the sale or rental of its products.

© 2022 Medik Services, Inc. ALL RIGHTS RESERVED. APR53703 rev 1 01-JAN-2022 ENG – US