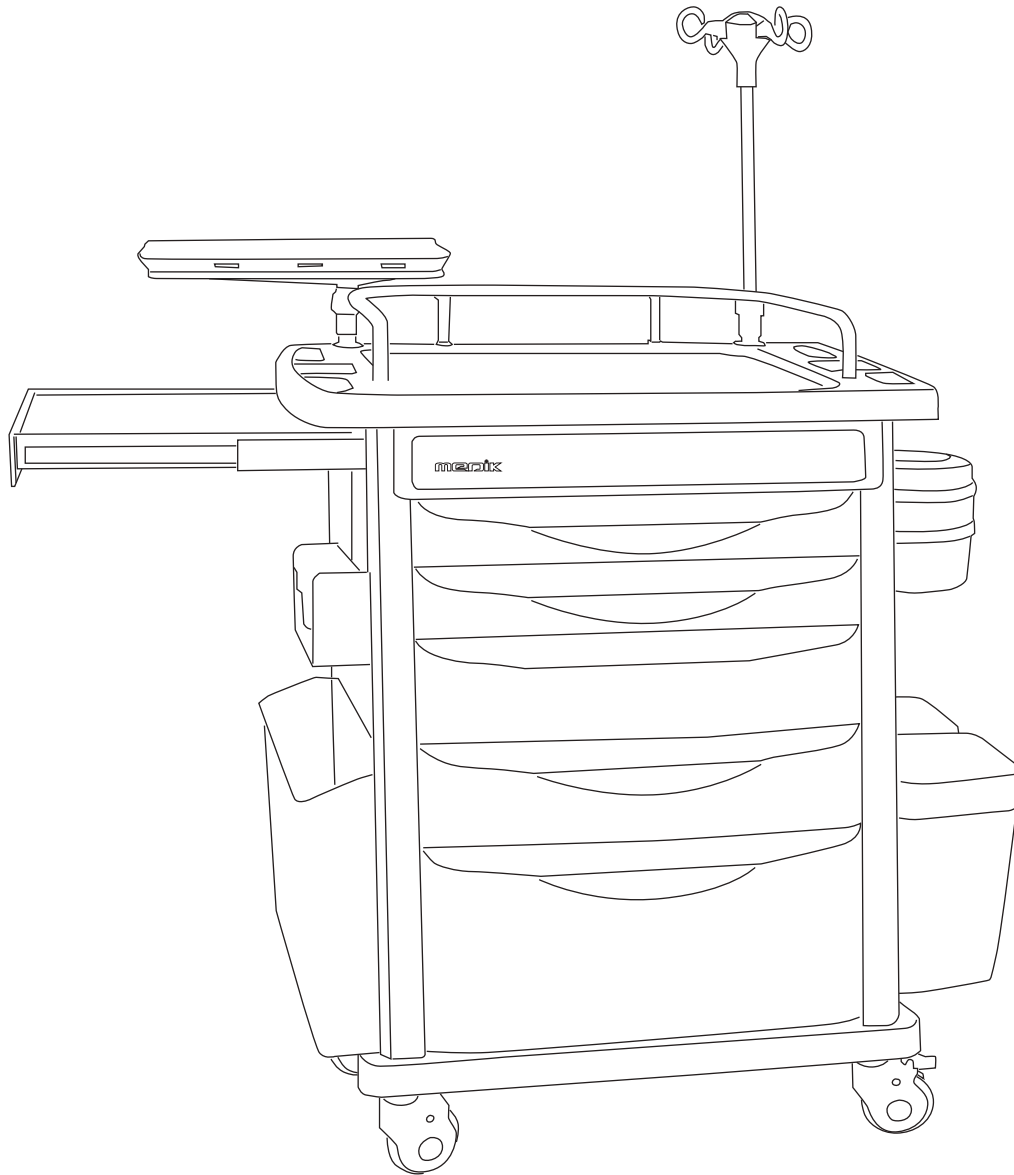


MK-P02

User Manual

Emergency cart



1.Scope Of Application

The MK-P02 Emergency Cart is a versatile and essential medical equipment designed to streamline emergency response and patient care. Crafted from durable ABS material, this cart offers robust construction for long-lasting use. With multiple drawers, an infusion stand, and a CPR board, it provides comprehensive functionality for healthcare professionals.

2.Parameter & Function

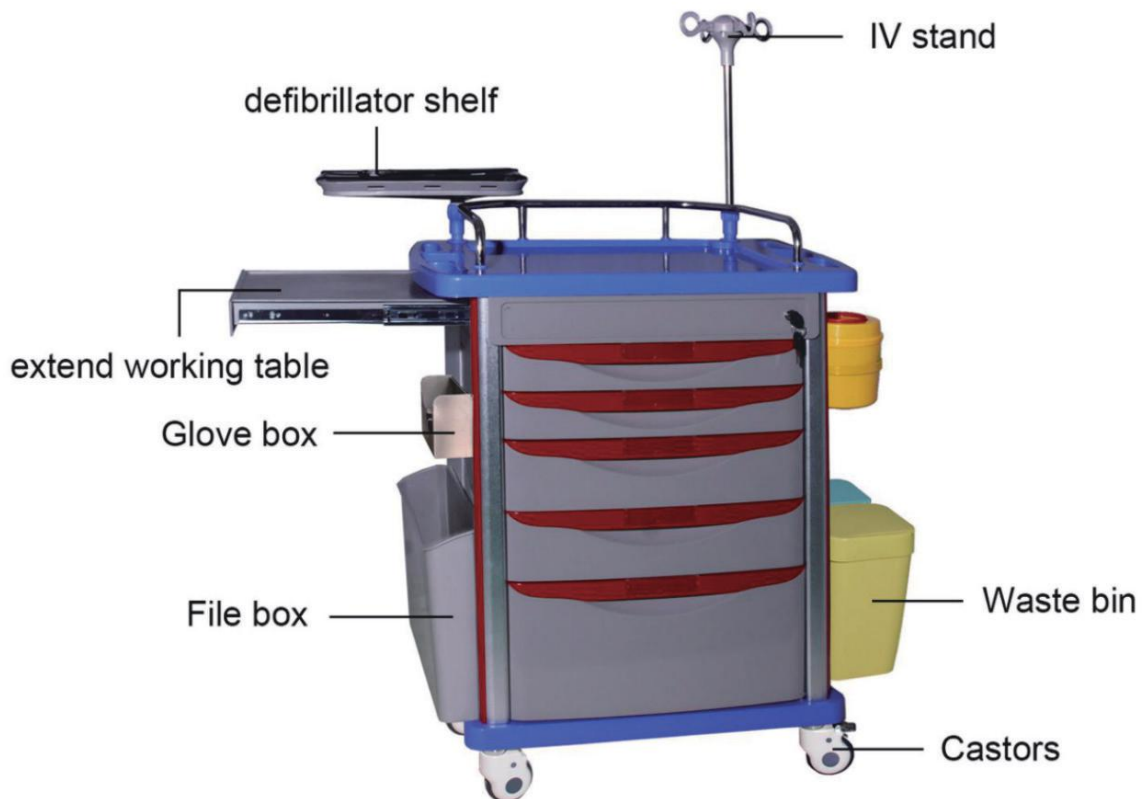
Overall Size(L*W*H) 750*475*950mm

Material Steel/Aluminum/Polymer

Color Grey/Red/Blue

Accessories :IV stand,CPR board, Waste bin

3.Assembly Drawing Of Stool



4.Maintenances

Maintenance is crucial to ensure the longevity and optimal performance of the MK-P02 Emergency Cart. Follow these guidelines for proper care:

- **Cleaning Instructions:** Wipe down the cart regularly with a mild disinfectant solution to maintain a clean and sanitary environment. Avoid using harsh chemicals or abrasive materials that may damage the surface or compromise the integrity of the ABS material. Pay special attention to corners, handles, and surfaces that come into direct contact with medical supplies.
- **Inspection and Maintenance Schedule:** Establish a routine inspection schedule to identify any signs of wear, loose components, or damage. Inspect wheels for smooth rotation and check the locking mechanism for proper functionality. Verify the stability of the infusion stand and CPR board attachments. Replace any damaged or worn parts promptly using genuine replacement components.
- **Troubleshooting:** Refer to the troubleshooting section for common issues and solutions. In case of persistent problems, contact customer support for assistance. Do not attempt to repair or modify the cart without proper authorization and guidance from the manufacturer.

5.General Warning

- **General Safety Precautions:** Familiarize all users with the manual and safety guidelines before operating the cart. Ensure that the cart is on a stable surface before performing any procedures. Keep the area around the cart clear to prevent tripping hazards during emergencies.
- **Emergency Procedures:** In the event of a malfunction or emergency, follow established emergency protocols for your medical facility. Clearly label and communicate the location of the MK-P02 Emergency Cart for quick accessibility during crises. Regularly conduct drills to ensure healthcare providers are proficient in using the cart during emergencies.
- **Locking Mechanism Usage:** Familiarize users with the locking mechanism for both the wheels and drawers. Instruct users to lock the wheels when the cart is stationary and unlock them when moving. Ensure that all drawers are securely locked during transportation to prevent spillage or damage to contents.

6.After-Sales Service

The product that is damaged or fails to normal work really due to the manufacturing product within the one year after the purchasing date will gain free spare parts and assembling drawing from our company.

CONTACT US



Youtube



Web

Pls scan the QR code for more info

-  + (86) 139 6223 1292
-  info@medik-medical.com
info@mediksurgical.com
-  www.medik-medical.com
www.mediksurgical.com