

MC-D05

User Manual

Operating Table

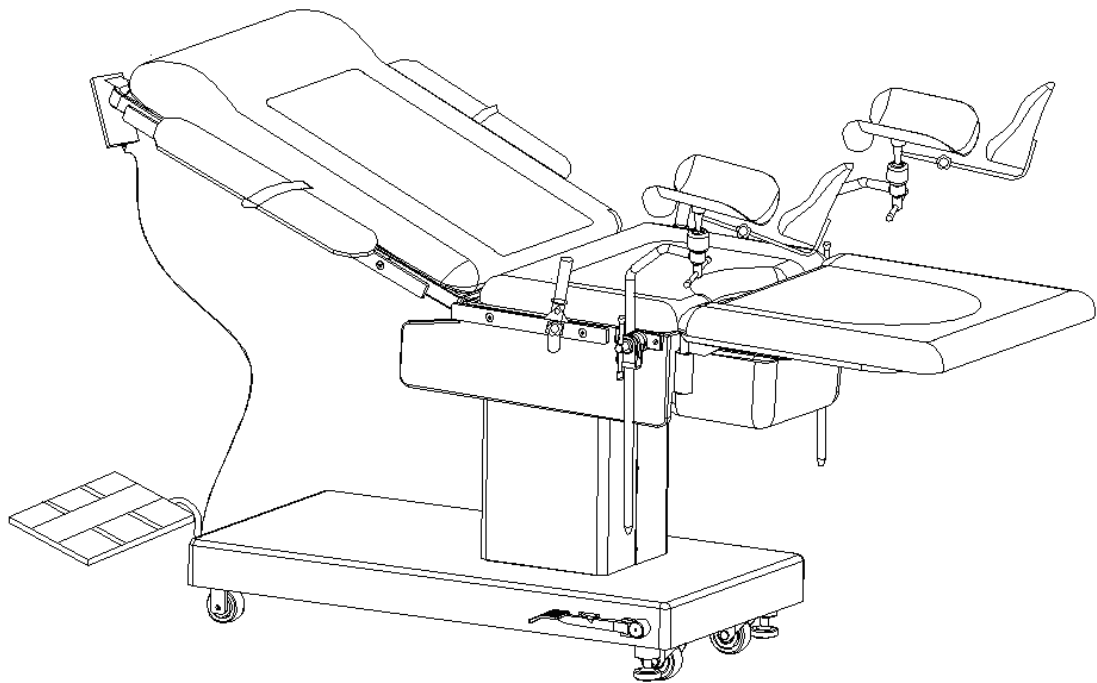


Table of contents

| | |
|--|----|
| Introduction | 1 |
| Symbols used in the text..... | 1 |
| Summary of the instructions..... | 2 |
| General content | 3 |
| Product information and feature | 4 |
| Commissioning..... | 5 |
| Transportation..... | 5 |
| Unpacking | 5 |
| Power requirements..... | 6 |
| Attention before using | 7 |
| Attention after using | 7 |
| Displacement..... | 8 |
| Using adjust..... | 8 |
| Movements diagram of MC-D05 | 9 |
| Picture of control panel | 9 |
| Function of telecontroller..... | 10 |
| Clean out and disinfection..... | 11 |
| Maintenance..... | 11 |
| Main technical data..... | 12 |
| Packing list | 12 |
| Appendix 1 | 13 |
| MC-D05 with all standard accessories | 13 |

Introduction

About this operating manual

This operating manual includes introduction about the symbols and safety instructions. You can see the description, instruction and maintenance about our product in the following pages. And some technical data and information about the product.

In case of any question , we therefore kindly ask you to contact after-sales service personnel or distributor.

This operating manual is to be read and observed by any person using or handle orthopedic traction.

In case of any accident, we obtest users to be familiar with the usage and the points of attention.

Symbols used in the text



Danger !

This symbol will appear whenever safety instruction are designed to protect people from physical harm. The symbol stands for imminent danger of death or of serious injury.



Caution!

This symbol will appear where situations are described which might be dangerous ,and which might inflict slight injuries.



Attention!

This symbol will appear in front of such hints which shall prevent the table or other equipment from being damaged



Advice !

This symbol will appear in front of additional helpful pieces of advice.

A dot in front of the text means:

Please pay attention and you have to do.

Summary of the instructions



Danger!

Patients may be exposed to danger by electrostatic tension. By means of the potential equalization device electrostatic tension are conducted to earth. Always connect the potential equalization device of the Operating Table to earth before use.

Danger !

The patient may get hurt if the Operating Table is displaced while he or she is lying on the top in the knee-elbow-position. Do not dis place the table with the patient in knee-elbow-position.

Danger !

The patient may get hurt if the Operating Table is displaced with an attached extension device, due to its reduced stability against tilting. Do not displace the Operating Table with an attached extension device when a patient is lying on the top.

Danger !

Do not press two buttons at the same time !



Attention!

never press one button over 2min!

Attention!

The cushion will deform if exposed to heat. The Operating Table, including its cushion ,must not be sterilized bu super heated steam.

Attention!

Agents for disinfection of the patient's skin may cause discolorations on the cushions. Remove such disinfecting agents from the cushion in order to avoid such discolorations.

Attention!

Disinfecting sprays may cause corrosion on mechanical parts, or create explosive mixtures inside the table components. For this reason, do not use disinfecting sprays!

Introduction

Use and brief introduction

The product belongs to class I, type B. Non AP or APG device , IPX4 device, continuous device. And possesses application part.

MC-D05is the most latest electric table that can be used for Obstetrics birthing, Gynecological operation and examination .The tabletop elevation, trendelenburg/reverse trendelenburg, Back plate all controlled by both micro touch hand remote control and foot switch.Imported electric motors enable flexible,smooth movements, low noise ,high reliability.

High degree of automation and low noise, reliable, key parts are imported.

Be sure to read the instruction carefully before using, and keep it.

General content

Basic data

The technical data should look at Form 1

Form 1: basic data

unit:mm

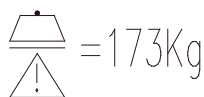
| basic data Model | length | Width | lowest height of tabletop | Distance of elevation |
|---------------------|---------|-------|---------------------------|-----------------------|
| | L | B | h min | S |
| YFSC-SJ06 | ≥1880mm | 600mm | ≤680mm | ≥260mm |

Gross weight.net weight.volume

Gross weight:250kg ,net weight:200kg ,Volume(long×width×height) 1360mm×860mm×880mm.

Safe working load of YFSC-SJ06

The safe working load of the table is 173kg(Look at Form 2)



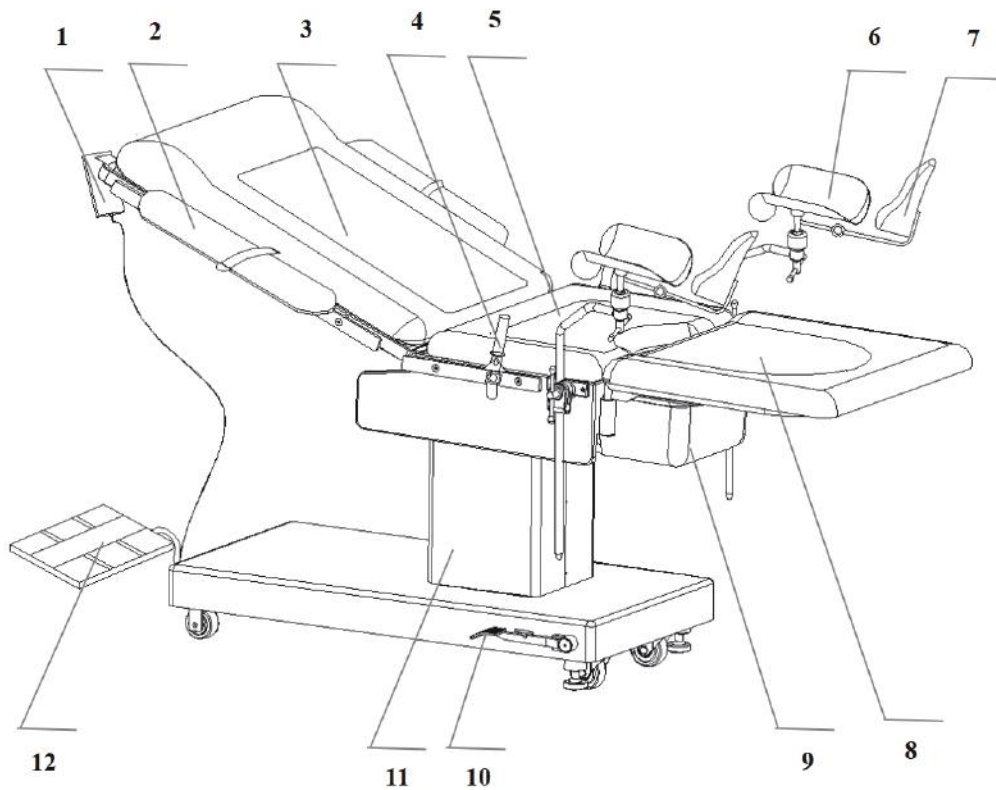
Picture 1 : symbol of safe working load

Product information and feature

Product information

The operating is formed by head plate and back plate, waist plate, buttocks plate and leg plate

Please look at the Picture 2



1-Hand remote; 2- Arm support; 3-back plate; 4-handle; 5-seat plate; 6-leg tray; 7-leg support; 8-leg plate; 9-waste basin; 10-pedal brake; 11-elevation column; 12-foot switch

Picture 2 Diagram of structure MC-D05Electric Operating Table

Feature

- ☒ You can adjust the height of the table as you wish (look at picture 1), convenient for doctors.
- ☒ You can take the cushion apart from the table for clean up.

Commissioning

keeping

Inside its original packing the Operating Table may be exposed for a period of 15 weeks to environmental conditions within the limits of :

| | |
|----------------------|---------------------------------|
| Ambient temperature | -30°C~55°C |
| atmospheric humidify | ≤95% |
| Atmospheric pressure | 500 <u>hPa</u> ~1060 <u>hPa</u> |

- The table should be kept in a clean place, never put in the places where influenced by atmospheric pressure, temperature, humidity, aeration, sunshine, or dust and sulfur.
- The table should be kept separately from chemicals.
- Please pay attention to the supply frequency, electric tension and normal impedance.
- stock in a ventilated place.

Transportation

Upon leaving the factory, the Operating Table are positioned fit for transportation. In case of further transportation at a later date, we recommend to adjust the Operating Table into the same position.

- In order to transport the Operating Table, adjust seat and back section in to horizontal position.
- Remove the head and leg plates, and detach other accessories.
- Adjust the table-top into minimum height.

Unpacking

Carry the Operating Table, if possible, inside its original packing to its final site of use. Check the condition of the Operating Table.

Any possible damage occurred during transportation should be reported immediately to after-sales service personnel or distributor. You will find their address and telephone no. On the last page of this operating manual.

Power requirements

| | |
|------------------|-----------------------|
| supply voltage | $\sim 110V \pm 10\%$ |
| supply frequency | $60\text{Hz} \pm 2\%$ |
| Power capacity | $\geq 1\text{kW}$ |

| | |
|------------------|-----------------------|
| supply voltage | $\sim 220V \pm 10\%$ |
| supply frequency | $50\text{Hz} \pm 2\%$ |
| Power capacity | $\geq 1\text{kW}$ |

using

| | |
|----------------------|--|
| Ambient temperature | $10^{\circ}\text{C} \sim 40^{\circ}\text{C}$ |
| atmospheric humidify | $\leq 80\%$ |
| Atmospheric pressure | $760 \text{ hPa} \sim 1060 \text{ hPa}$ |

- Please pay attention to supply frequency, electric tension and normal impedance.
- Once found it out of work, please stop using.
- Make sure that the patient won't touch the table.
- Please don't take them down when they are out of work, contact the serviceman in time.
- When change the fuse, you should turn off the power.
- It should be separated from the magnetic field when using.

Attention before using

- Please read the instruction before using, people who doesn't know the operating method is forbidden to use.
- Please check the switch, and be sure they can work.
- Please confirm all the power line are connected right and safely.
- When it work with high frequency surgical equipment, the equipment should comply with gb9706.1.

Attention after using

- To return to the former condition, and turn it off, cut off the electricity supply.
- Put the telecontroller in the right place.
- Clean the table after operations.

Method of using Operating Table

Preparation before using

- No objects exist that affect the operations;
- Confirm if all the power lines are connected well, the switch is in "0" condition;
- Move the table to the right place you need;
- Connect the telecontroller with the table;
- Please check the power supply before turning it on;
- Lock the base of the table;
- Fix up the head plate, leg plate and accessories according to the picture.
- The table adopts short-time work, attention: never press one button over 2min.



Danger!

Patients may be exposed to danger by electrostatic tension. By means of the potential equalization device electrostatic tension are conducted to earth. Always connect the potential equalization device of the Operating Table to earth before use.



Attention!

never press one button over 2min!

Displacement

- Moving and locking the Operating Table



Danger !

The patient may get hurt if the Operating Table is displaced while he or she is lying on the top in the knee-elbow-position. Do not displace the table with the patient in knee-elbow-position.

Danger !

The patient may get hurt if the Operating Table is displaced with an attached extension device, due to its reduced stability against tilting. Do not displace the Operating Table with an attached extension device when a patient is lying on the top.

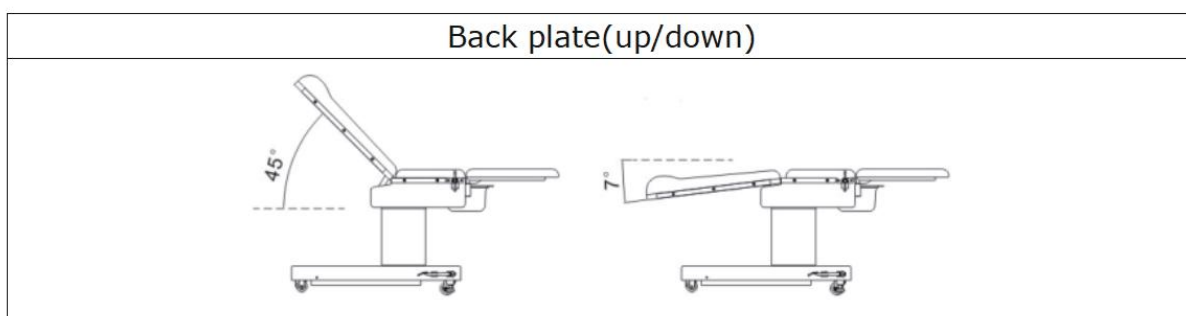
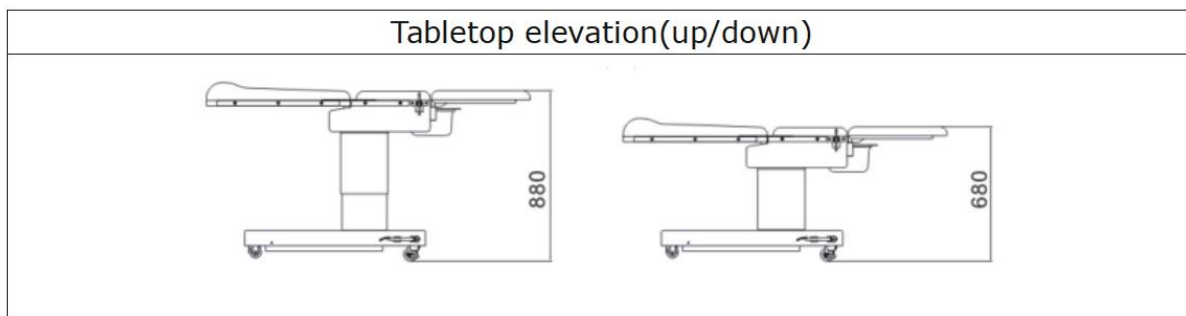
Danger !

Remember lock the brake when the patient is on the Operating Table. The patient will be easily hurt if the Operating Table suddenly move by itself.

Using adjust

- Adjustment of leg plate
- Slacken the handle between leg plate and buttocks plate, put it to a proper place and screw up the handle.
- Fixing of accessories
- There is rail on the both side of the table, you can use the fixing clamp the set up all the accessories.

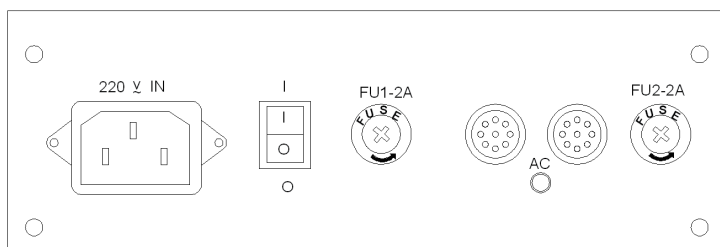
Movements diagram of MC-D05



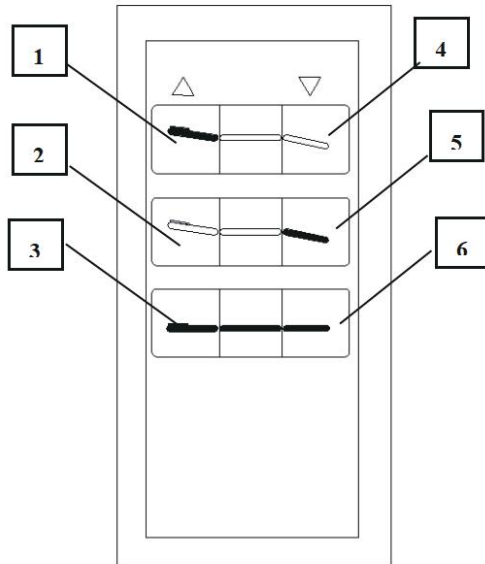
Picture of control panel

Please look at the picture 4:

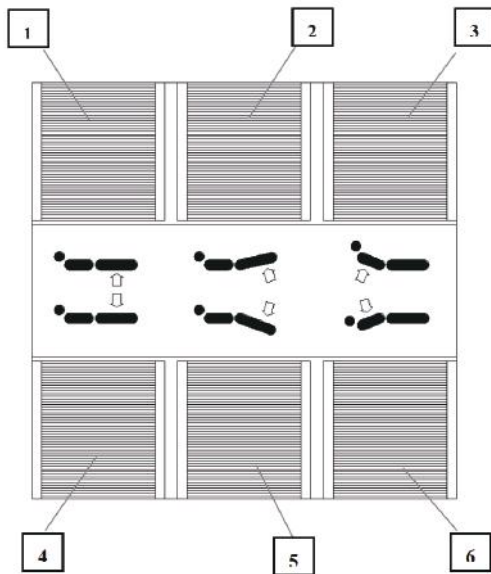
- ☒ Power supply jack:
100-240V IN AC socket;
- ☒ Switch “|” means “ON”
“O” means “OFF”;
- ☒ Fuse :FU1 \FU2 ;
- ☒ AC : light (white) on
when the power on



Function of telecontroller



- 1 back up
Raise the back plate.
- 2 leg up
Raise the leg plate.
- 3 up
Raise the table top.
- 4 back down
Lowers the back plate.
- 5 leg down
Lowers the leg plate.
- 6 down
Lowers the table top



- 1 up
Raise the table top.
- 2 leg up
Raise the leg plate.
- 3 up
Raise the back plate.
- 4 down
Lowers the table top.
- 5 leg down
Lowers the leg plate.
- 6 back down
Lowers the back plate.



Danger !
Do not press two buttons at the same time !

Clean out and disinfection

The cushion on the Operating Table are all removable .Head section and leg plates can be removed completely .This way they can easily be cleaned individually.

Stainless steel , sprain paint part and cushions of the Operating Table may only be cleaned using appropriate cleansing agents.The cushion should be cleaned twice by 75% alcohol and then use disinfectant and ultraviolet radiation for sterilization.

- Turn off the power after operations , raise the Operating Table to the minimum height and move seat and back section into horizontal position.
- If required,remove the cushion of the seat and back sections.



Attention!

The cushion will deform if exposed to heat. The Operating Table, including its cushion ,must not be sterilized bu super heated steam.

Attention!

Agents for disinfection of the patient's skin may cause discolorations on the cushions.Remove such disinfecting agents from the cushion in order to avoid such discolorations.

Attention!

Disinfecting sprays may cause corrosion on mechanical parts,or create explosive mixtures inside the table components.For this reason,do not use disinfecting sprays!

Maintenance

- Users should check the table and maintain it from time to time.
- When the table hasn't been used for long time, you need to check it before using.
- In order to prolong its using life and keep it in a good condition, you need to pay attention to the daily maintenance and add lubricant oil.
- You can not use caustic cleaner to clean the cushion after operations.
- Do not use industrial alcohol to clean the cushion,it will be react with the cushion.
- Please lower the lowest position after using.
- When it cannot work any more,the scrap of the equipment should comply with legal regulations.

Common problems and solutions

Wrong operations

problem: when you press only one button, but over one action worked

cause: the elements of the base become damp.

Solution: use gauze to dry it, and adopt 300V blow drier .

The table cannot work:

cause1: disabled fuse

cause2: the jack of telecontroller has loosen.

solution1: replace fuse

solution 2 connect the power of telecontroller with the table again

Some buttons cannot work:

Cause 1: the button are out of work.

Cause 2: the jack didn't connect well.

Solution: you can replace the buttons or jack

Main technical data

Form 3: Main technical data

| Item | | Basic Data |
|--------------------|------|-----------------|
| Seat plate | Up | $\geq 20^\circ$ |
| | Down | $\geq 9^\circ$ |
| Back plate | Up | $\geq 45^\circ$ |
| | Down | $\geq 10^\circ$ |
| Leg plate(outward) | | $\geq 90^\circ$ |

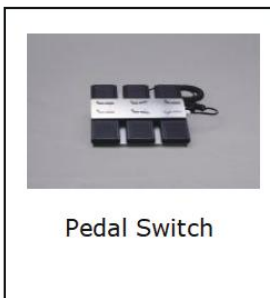
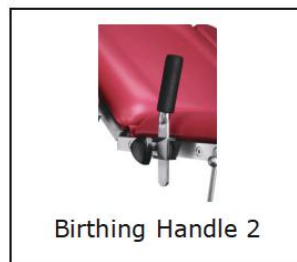
Packing list

Form 4 packing list

| NO. | Item | quantity | NO. | Item | Quantity |
|-----|---------------------|----------|-----|------------------|----------|
| 1 | Arm support | 2 pieces | 5 | Birthing Handle | 2 pieces |
| 2 | Leg support | 2 pieces | 6 | Leg plate | 2 pieces |
| 3 | Waste basin | 1 piece | 7 | Fixing clamp | 2 pieces |
| 4 | Framework for basin | 1 piece | 8 | Oilcan(with oil) | 1 piece |

Appendix 1

MC-D05 unique Optional Accessories



MC-D05 with all standard accessories



Picture 3 : MC-D05 with all standard accessories

CONTACT US



Youtube



Web

Pls scan the QR code for more info

-  + (86) 139 6223 1292
-  info@medik-medical.com
info@mediksurgical.com
-  www.medik-medical.com
www.mediksurgical.com