

MC-C01

User Manual

Manual Gynecology Examination Table

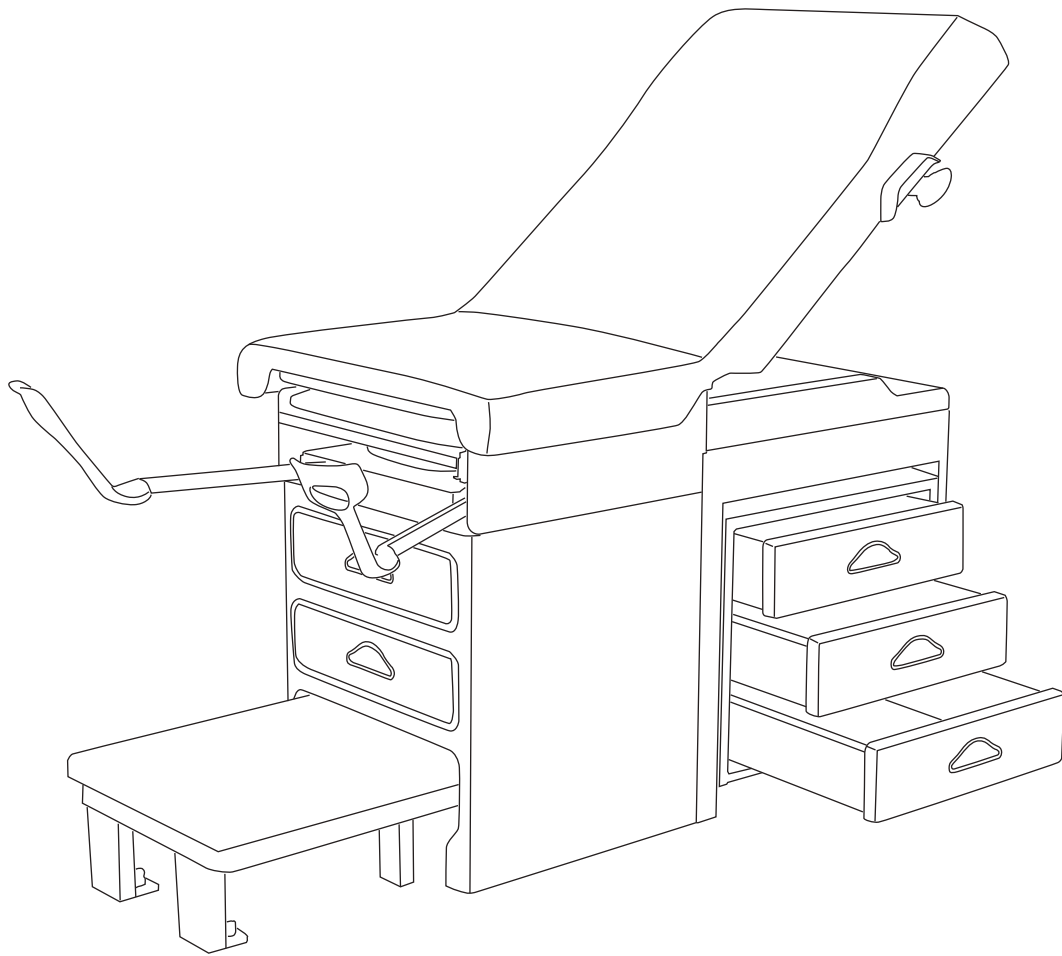


Table of contents

1.Introduction Of Product.....	1
2.Main Purposes And Application Scope.....	1
3.Main Technical Parameters	1
4.Schematic Diagram Of Product And Annotations	2
5.Precautions	2
6.Operation Method.....	3
7.Conditions For Normal Operation, Storage And Transportation.....	6
8.Fault Analysis And Solutions.....	6
9.Maintenance.....	6
10.After-Sale Services.....	6

Instruction Manual

This manual provides information of MC-C01 gynecology examination table and instruction of installation, please read the manual carefully and understand it sufficiently before attempting to use the chair, must stand to note in the manual, orientation of the chair in this manual is based on the view of user who is on chair, please pigeonhole this manual for maintaining use after installation.

1.Introduction Of Product

The mc-c01 gynecology examination table is a new product for hospitals and clinics to carry out every kind of gynecology examination, diagnoses and surgical operation. This product pays more attentions to patient's comfort and operator's flexible. Equipped with the auto adjustment functions, it can be operated conveniently and easily.

The key parts all use imported well-known brand products with long life term, stable performance, low noise and flexible operation way.

2.Main Purposes And Application Scope

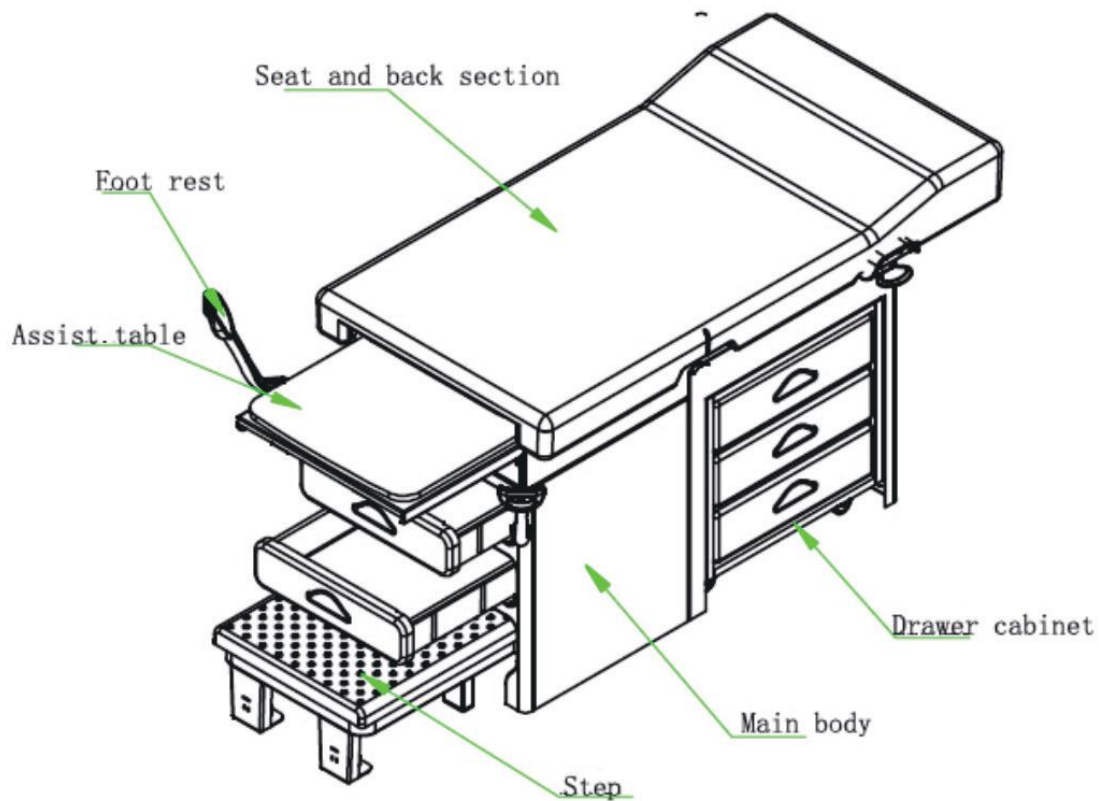
MC-C01 Gynecology examination table designed mainly for the gynecological operations.

3.Main Technical Parameters

Dimension(not include handle)	1400 mm X 720 mm X 880 mm
Back section turning angle	0~70±1°
Slide distant of assist table	420 mm
Dimension of step	Length 500mm Height 220mm
Slide distant of foot rest	275 mm
Swing angle of foot rest	45°
Max. load	240kg

4.Schematic Diagram Of Product And Annotations

This Gynecology examination table mainly includes main body, drawer cabinet, and step, assist table, foot rest, mattress of seat and back section. (Fig. 1)



(Fig. 1)

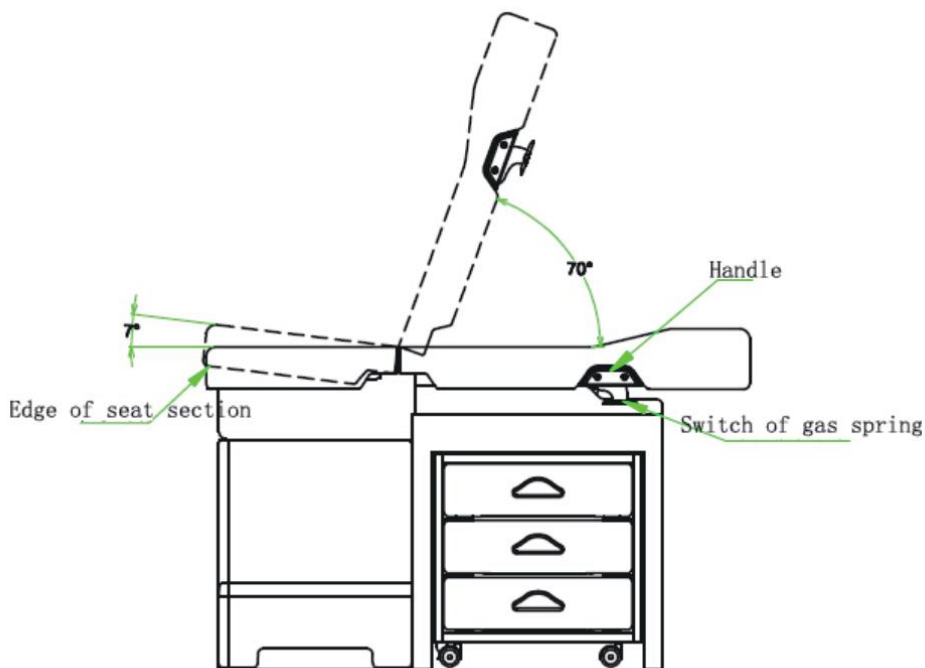
5.Precautions

- 5.1each part of the chair should keep clean, the clean method refer to “ 9 maintenance and service”
- 5.2 do not put foot or hand into raise/down mechanism to avoid accident.
- 5.3when you turning the seat section, please make sure the seat section is fixed then release the board.
- 5.4please contact the professional personnel to maintain when the product running faulty, do not knock down the product by self.
- 5.5the pu mattress of chair is not anti-static.

6.Operation Method

6.1 Seat And Back Section Adjust (Fig. 2)

Back section adjustment: put one hand on the handle, use the finger pulls the switch upward to open the gas spring. Another hand supports the back section to adjust the turning angle. When release the switch, make sure the switch handle was parallel to the mattress or a little under it. Then back section will be locked. Note: one hand must to support back of back section when adjust it when patient lay on the table.

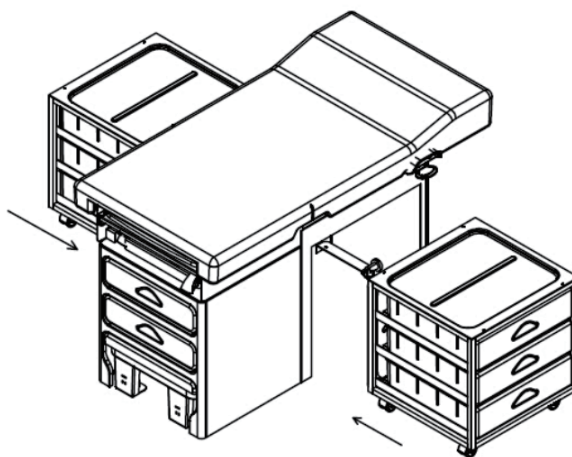


(Fig. 2)

Seat section adjustment: One hand hold the edge of seat section and lift up, when the supporting clip into the slot. Then release the hand the seat section is fixed.

6.2 Drawer Cabinet

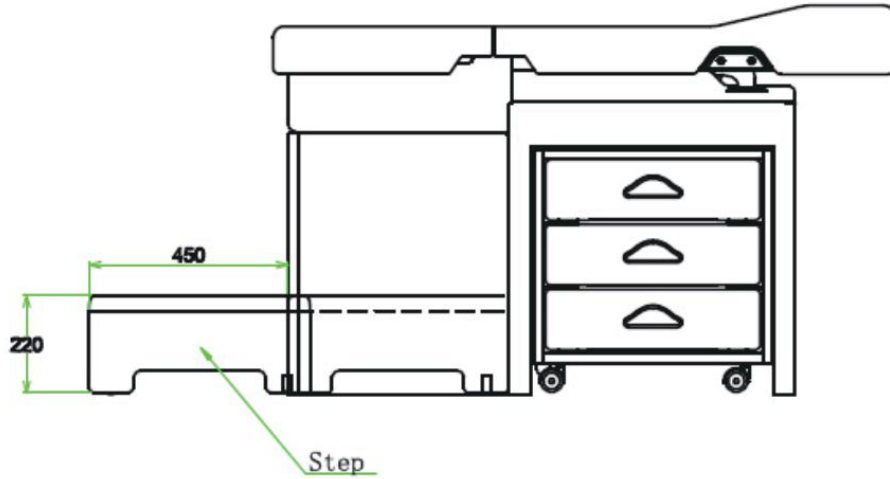
The drawer cabinet can be put under the table from both side of table. It is wide range of applications.



(Fig. 3)

6.3 Step

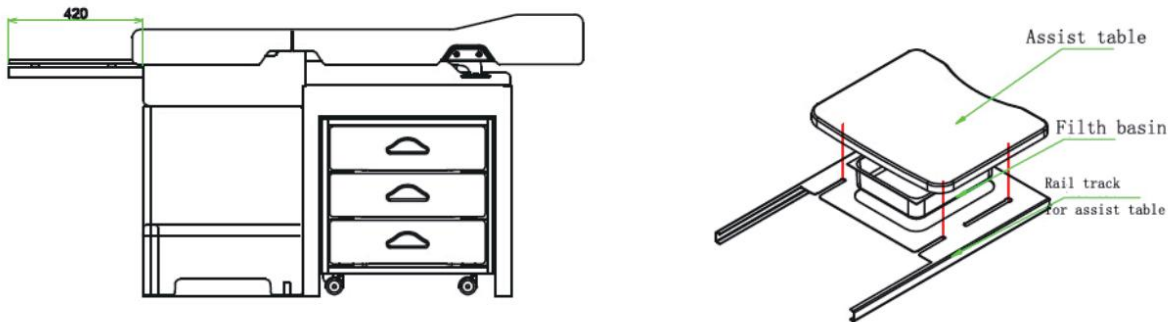
The stroke of step is 450mm, the surface has bumps and concaves. This can prevent patient slipping effectively. And help patient get on the table easily.



(Fig. 4)

6.4 Assist Table

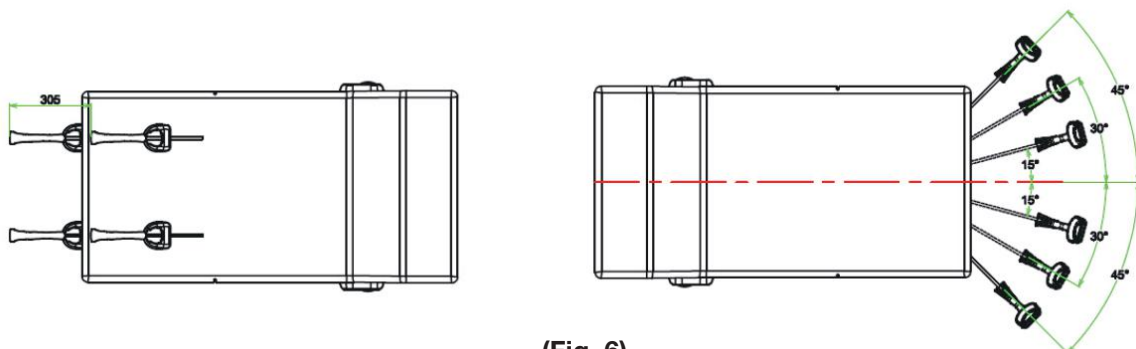
The stroke of assist table is 420mm. There is a filth basin on the frame of assist table and under the mattress. It can slide together with the rail track of assist table.



(Fig. 5)

6.5 Foot Rest

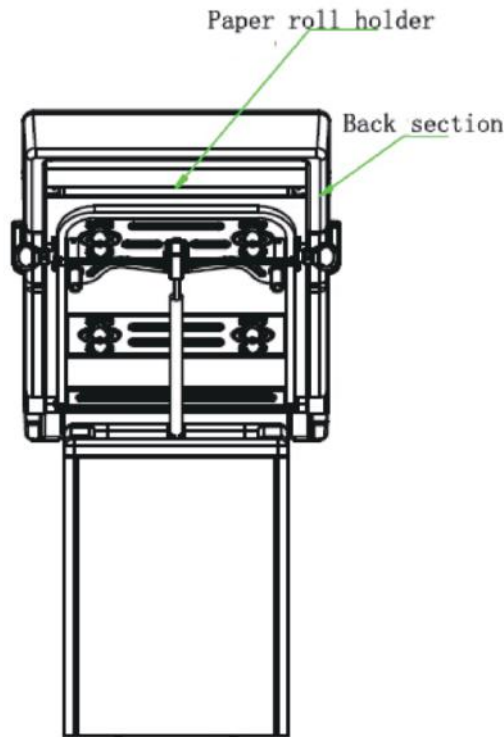
The stroke of foot rest is 305 mm. There are three adjustment ranges for the foot rest. They are 15°, 30° and 45° the foot rest can be extend and adjusted until they slide to the correct space.



(Fig. 6)

6.6 Paper Roll Holder

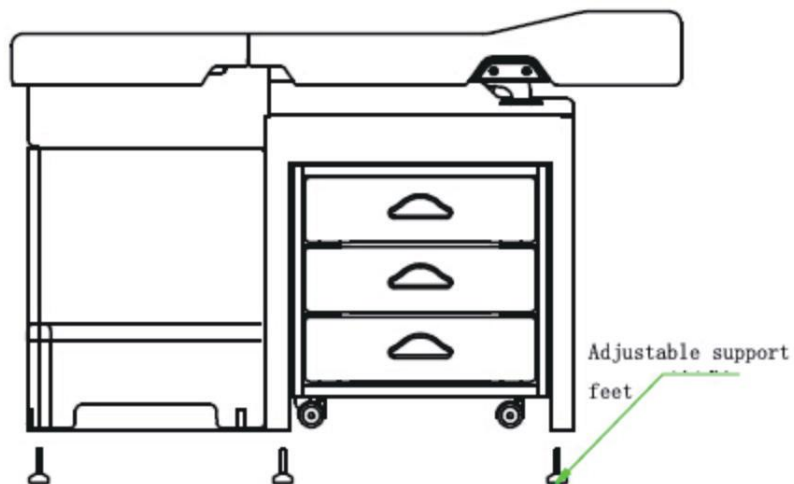
The Gynecology examination table has paper roll holder. (Prepare the paper roll by yourself) It is under the back section. Lifting up the back section; take out the paper roll holder to install the paper roll. The paper can be pulled out behind the back section and to cover the table.



(Fig. 7)

6.7 Adjustable Support Screws

There are six adjustable feet on each side of front, middle, back of Gynecology examination table. Adjust the feet to make the chair stable.



(Fig. 8)

7. Conditions For Normal Operation, Storage And Transportation

7.1 Conditions for normal operation

- 1. Ambient temperature: 5 0C ~ 400C
- 2. Relative humidity: ≤ 80%
- 3. Atmosphere pressure: 70kPa ~ 106kPa

7.2 Conditions for storage and transportation

- 1. Ambient temperature: -40 0C ~ 550C
- 2. Relative humidity: ≤ 95%
- 3. Atmosphere pressure: 50kPa ~ 106kPa

8. Fault Analysis And Solutions

Phenomena of fault	Item that shall be confirmed	Solutions
Noise of movement part	Lubrication scarcity	Add the lubrication to the movement part

9. Maintenance

- 9.1. The chair has received strict tests in factory before delivery. Please don't dismount, combine or disassemble it by yourself.
- 9.2 Damaged cushion and assist chair surface should be changed and deal with the castoff according to correlative regulation.
- 9.3 The gynecology examination table shall be stored in dry, corrosive gas free, and well-ventilated environment, and mustn't be exposed to direct sunlight.

10. After-Sale Services

- 10.1. The product that is damaged or fails to normal work really due to the manufacturing problem within the one year after the purchasing date will gain free spare parts and assembling drawing from our company.
- 10.2. Our company will provide the whole-life services.

CONTACT US



Youtube



Web

Pls scan the QR code for more info

-  + (86) 139 6223 1292
-  info@medik-medical.com
info@mediksurgical.com
-  www.medik-medical.com
www.mediksurgical.com